

recycologic

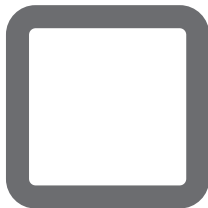
cupboard-mounted recycling bins

recycologic.com

User instructions for

SLIDE

400, 450, 500 and 600 models



USE

- 1 - Choosing liners and configuring your bin
- 2 - Opening the door
- 3 - Fitting bin liners
- 4 - Fill in the magnetic labels
- 5 - Compacting rubbish
- 6 - Emptying the bin
- 7 - Leaking bin liners
- 8 - Cleaning the bin
- 9 - Maintenance
- 10 - Warranty

1

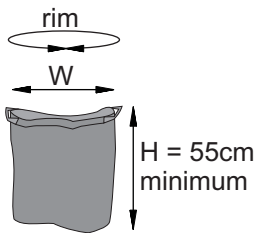
use

Choosing liners and configuring your bin

Look at the diagrams below and decide how you want to configure your bin - smaller liners may be fitted over individual holders or larger liners over two or more holders at a time. Don't worry if you produce more of one type of rubbish than another as the fuller liners will just push the emptier ones aside within the bin. What is important is that you have enough separations for your recycling needs. Recycologic do not sell plastic liners as our bins have been designed to work with commonly available draw-string liners - for a list of what UK supermarkets stock, see www.recycologic.com/liners

Eco-friendly reusable liners

Recycologic do however sell packs of reusable liners for recyclable materials - like the one supplied with this kit. These are machine washable and much more environmentally friendly than using disposable liners - purchase from www.recycologic.com/buy_now Reusable liners fit onto one bag holder (size S)



Any **recycologic** bin may be fitted with a variety of liner sizes - see diagrams below

Small (S):	W= 51-63cm (rim 102-126cm)	Fit over one bag holder
Medium (M):	W= 62-74cm (rim 124-148cm)	Fit over two bag holders
Large (L):	W= 73-85cm (rim 146-170cm)	Fit over three bag holders

Don't worry about the exact size - the bigger the liner, the further the door opens. Use draw-string type liners as they are stronger around the rim and you can also knot the draw-string to adjust the size of a liner if necessary.

Some possible liner combinations for each model

recycologic 400
3 bag holders
Compacts 80L to 60L approx.

Worktop
Bins viewed from above with the door open

recycologic 450
4 bag holders
Compacts 90L to 68L approx.

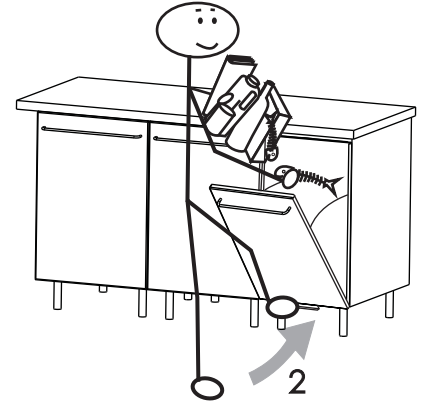
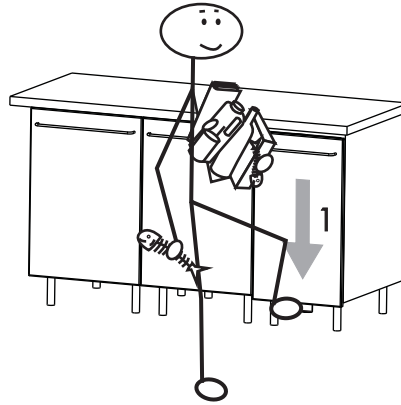
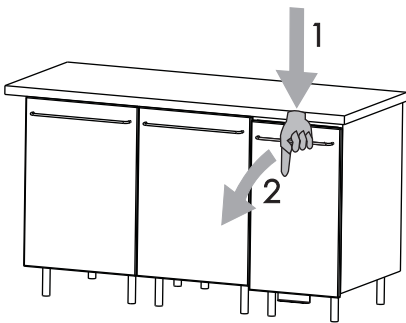
recycologic 500
4 bag holders
Compacts 102L to 76L approx.

recycologic 600
5 bag holders
Compacts 125L to 96L approx.

2 Opening the door

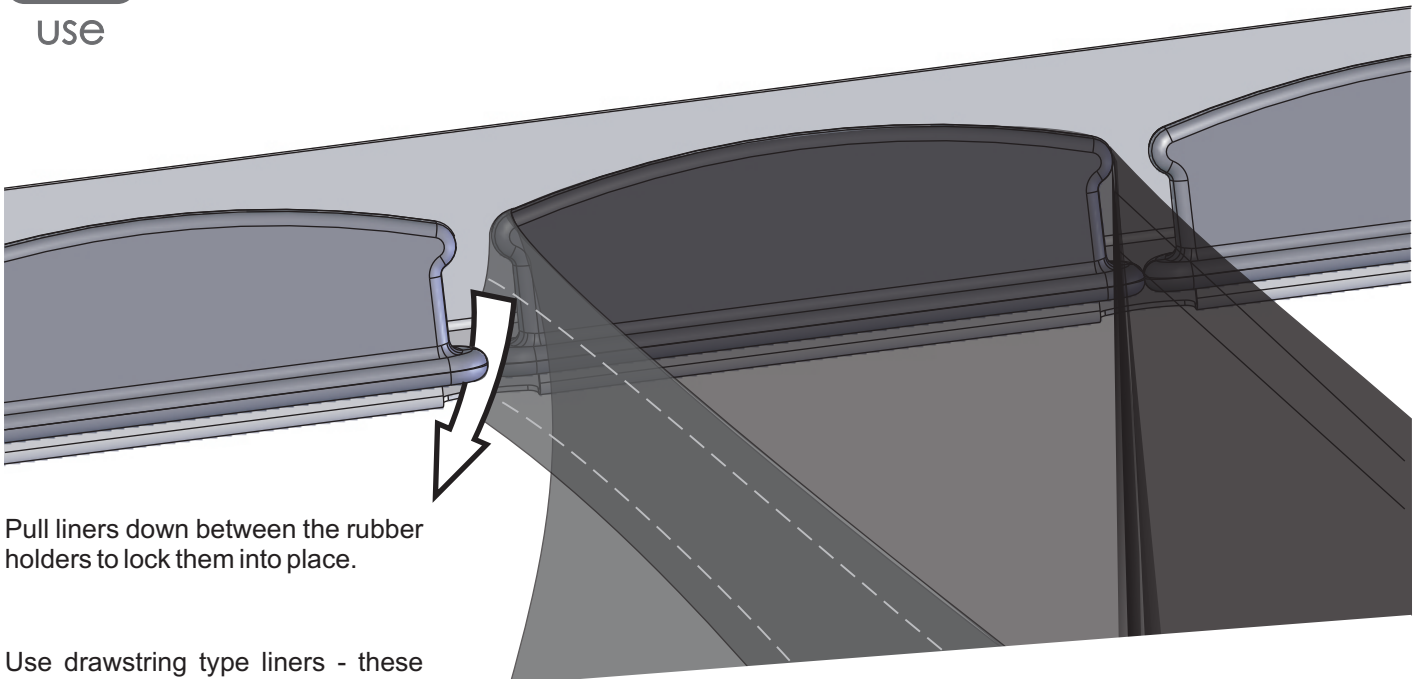
use

Push the door downwards to release the catch and then pull the door open.
If you have fitted the optional pedal then push it down and inwards to open the door.



3 Fitting bin liners

use



Pull liners down between the rubber holders to lock them into place.

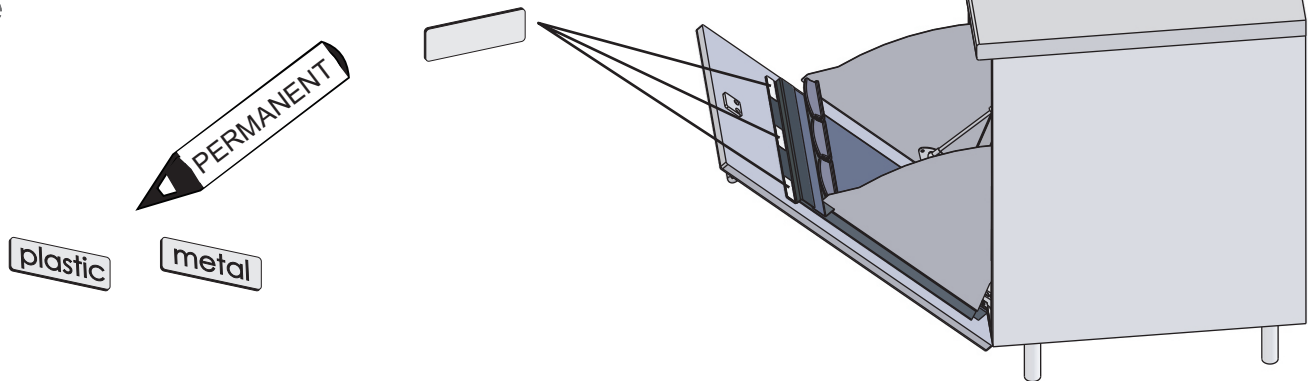
Use drawstring type liners - these are much stronger around the top.

Remember - you can put larger liners over several rubber holders at once.

4

Fill in the magnetic labels

use



5

Compacting rubbish

use



Put the rubbish into the liners and push the door shut to compact it. The bin is designed to compact bulky packaging but will not crush cans or bottles. **If you are having to push the door hard to close it, it is time to empty the bin!** The degree of compaction is similar to you pushing rubbish down into the bottom of a normal bin with your hand.

Compaction only takes place once the bin starts to fill up - while the bin is still quite empty, closing the door will just move the contents towards the back. Once the bin starts to fill up, the contents can't move anymore and closing the door starts to compact them against the rear wall.

Do not use excessive force to shut the door as this may damage the bin and invalidate the warranty.

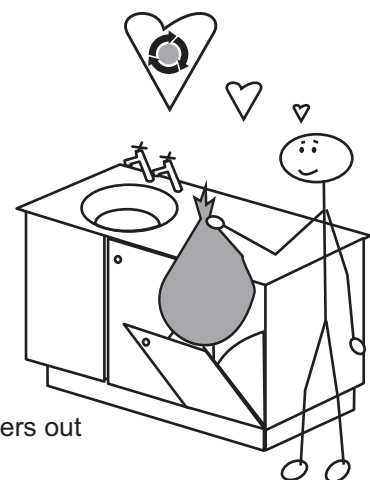
6

Emptying the bin

use

1. Pull the liners off the front and rear holders.
2. Allow the door to open fully against the stops.
3. Lift the liners out.

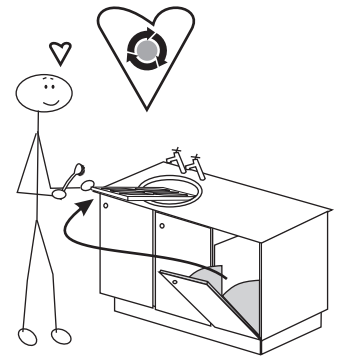
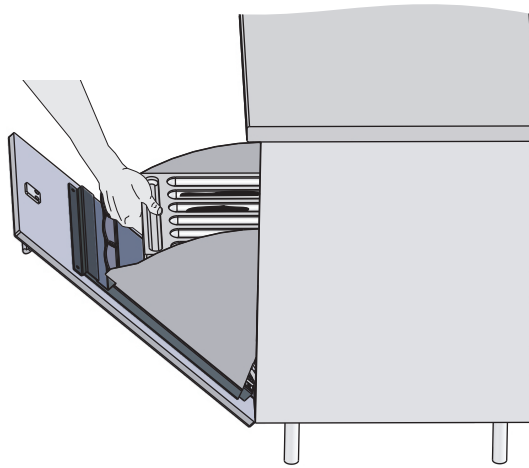
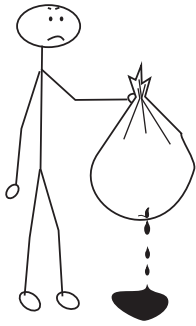
With the door fully open there is no compacting force so you can lift the filled liners out easily without tearing them.



7

Leaking bin liners

USE



Stinky leaking liners - no problem, just lift the drip tray out and rinse it in the sink with warm soapy water.

8

Cleaning the bin

USE

All parts of the bin should be cleaned using warm soapy water. Do not use abrasive cleaners that may scratch the surfaces.

Sheet metal parts of bin are made from stainless steel - while a variety of products are available for cleaning stainless steel we recommend polishing with baby oil as this produces a good finish and also makes it much easier to clean the bin the next time as the oil prevents the dirt from sticking. Mixing the baby oil with surgical spirit, isopropyl alcohol or rubbing alcohol will make it easier to polish - put 50:50 mix in bottle and shake vigorously.

IMPORTANT

OIL - do not put oil on the rubber bag holders as this stops them from working and can damage the rubber if left on there - clean oil splashes off the rubber immediately with warm soapy water.

BLEACH - Try to avoid using bleach on the bin due to its corrosive effects - if no other disinfectant is available, the bleach must be used according to the manufacturers instructions (diluted at least 10 parts water to 1 part bleach) AND rinsed off thoroughly afterwards as bleach can attack stainless steel and will cause the rubber bag holders to deteriorate.

Do not put the drip tray in the dish washer as the heat may distort it.

9

Maintenance

USE

recycologic bins are designed to last as long as your kitchen and will give many years of reliable service. Depending on usage, the parts that may eventually need replacement are the rubber bag holders and the hinges. Both of these items are easily replaced without the use of tools and the replacement parts are available from our website at a small cost:

www.recycologic.com/contact - Feedback and Other Enquiries

Recycologic - Warranty

If a defective component has slipped past the quality control team then of course we want to replace it as fast as possible. Please email us via the website www.recycologic.com / contact - Feedback and Other Enquiries , with your address and details of what is wrong so that we may process your claim as fast as possible. Recycologic bins are designed to be tough and give many years of reliable service provided they are handled sensibly. They are robust but not indestructible so please read the following:-

1. LIMITATIONS OF USE

- 1.1 The product is designed to compact bulky waste such as light cardboard and plastic packaging but NOT to crush cans or bottles; trying to do so will result in damage that is specifically excluded from this warranty.
- 1.2 If the door cannot be pushed closed easily, it is time to empty the bin. Recycologic bins are designed only to compact to a similar degree as would otherwise result from the user pushing rubbish down into a liner by placing a hand on top of the rubbish and pressing it down. Damage caused by using excessive force to close the door is expressly excluded from this warranty.
- 1.3 Cleaning the metal parts with baby oil is a good thing but do NOT put it on the rubber bag holders as doing so will prevent them from working properly and can cause the rubber to age prematurely which is not then covered by warranty.
- 1.4 During use, the metal sides of the compactor plate rub on the plastic cupboard liners and will cause a little wear as they bed in. This is not considered by Recycologic to be to be a defect or damage to the product - the cupboard liners are there specifically to withstand this wear rather than exposing the bare sides of the cupboard to it. This wear is specifically not covered by warranty.

2. LIMITED WARRANTY

- 2.1 For two years all components are covered against defects in workmanship and materials. This warranty does not cover:-
 - Defects due to improper assembly or installation
 - Damage resulting from improper use: see ' 1. Limitations of Use' above.
 - Damage resulting from use of excessive force
 - Labour charges for part replacement or changeover
 - Defects due to use of parts or accessories not originally intended for, or compatible with, the bin as sold
- 2.2 This warranty is void if the Recycologic bin is not installed in accordance with the instructions. Where deviations from the instructions have been un-avoidable, for example using a non-surface closing type door and cupboard design, then Recycologic Limited reserve the right to decide whether the defect has been caused by poor installation procedure. We are always happy to give advice on more complex installations to avoid such a situation arising: www.recycologic.com /contact - Technical Question
- 2.3 Recycologic Limited is not responsible for incidental or consequential damages.
- 2.4 Claims under this warranty must be made in writing to an authorised dealer or to Recycologic Limited directly at the address below or via the website: www.recycologic.com / contact - Feedback and Other Enquiries
- 2.5 Proof of purchase is required.
- 2.6 This warranty is limited to replacement of defective components only.
- 2.7 This warranty does not affect the purchaser's statutory rights. The period of statutory warranty depends on the law of the country in which the product is purchased. Dispute resolution will be under English law.